



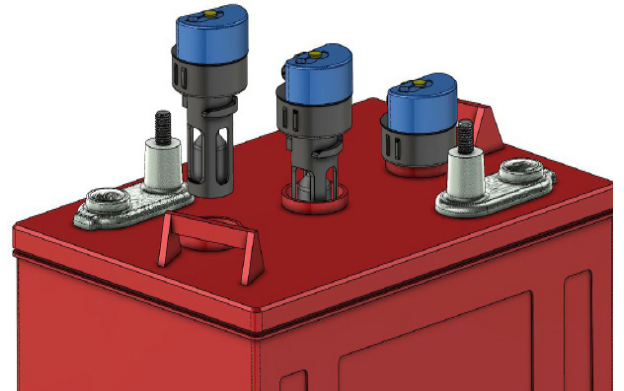
PI 03/2023

HSYS Battery Watering Bloc

application areas: golf carts, small traction, cleaning machines, sweepers, small traction, motorhomes, ships, standby power

material: PC and PP
temperature range: -30°C up to 95°C
pressure: 0,2 - 3,5 bar
flow rate: by 0,3 bar: 750ml / min

Degassing: Gas condenses through the spacious labyrinth chamber and is fed back into the battery.



Made in Germany

HSYS Battery Watering Bloc Components



HSYS bayonet plug



T-piece



coupler



plug



hose

*pictures serve as illustration

The advantages of the HSYS Battery Watering Bloc compared to conventional water refilling systems:

→ Safety

- water seal in the plug prevents possible backfire of charging gases from cell to cell
- no overfilling or forgetting of cells possible
- elimination of injuries due to contact with battery acid

→ Cost-effective

- reduced costs, since float is replaceable
- reduced stockpiling and storage costs
- extended battery life

→ Easy Handling

- self-closing, spring-loaded hinge with 5 mm opening
- level indicator visible from above and from the side visible
- plug can be rotated 360°

→ Variability

- lid color and printing can be freely selected
- freely selectable vinyl tubing or clampless Tubes 6 mm and 10 mm and Y-pieces
- float exchangeable for all types
- rotatable plug for better hose mounting

Our company is certified according to DIN EN ISO 9001.

For more information, please visit our website or contact us:



HSYS Battery Watering Bloc – sets

item number	battery set kit	volt	bayonet plug	cell opening	color
45AQ112V1G	12V	6V & 12V	encapsulated	24 mm	black
45AQ112V7A	12V	12V	non-encapsulated	24 mm	black
45AQ412V1G	12V	6V	encapsulated	24 mm	blue
45AQ412V7A	12V	12V	non-encapsulated	24 mm	blue
45AQ124V1G	24V	6V	encapsulated	24 mm	black
45AQ124V7A	24V	12V	non-encapsulated	24 mm	black
45AQ424V1G	24V	6V	encapsulated	24 mm	blue
45AQ424V7A	24V	12V	non-encapsulated	24 mm	blue
45AQ136V1G	36V	6V	encapsulated	24 mm	black
45AQ136V7A	36V	12V	non-encapsulated	24 mm	black
45AQ436V1G	36V	6V	encapsulated	24 mm	blue
45AQ436V7A	36V	12V	non-encapsulated	24 mm	blue
45AQ148V1G	48V	6V & 8V	encapsulated	24 mm	black
45AQ148V7A	48V	6V & 12V	non-encapsulated	24 mm	black
45AQ448V1G	48V	6V & 8V	encapsulated	24 mm	blue
45AQ448V7A	48V	6V & 12V	non-encapsulated	24 mm	blue

HSYS Battery Watering Bloc – accessory items

item number	description
400BAMS700	gravity tank, 5 gallons / 18.9 L capacity, with wall bracket and with automatic refill
400BAMS702	gravity tank, 5 gallon / 18.9 L capacity with wall bracket and without automatic refill
400BD00957	replacement wall bracket for gravity tank
400BAMS634	hand pump for water filling
4500851200	wall deioniser system complete, incl. mounting plate, with filter cartridge, mounting and connecting materials.
4500851001	replacement filter cartridge for wall deionizer system

Further accessory items on request.

Our company is certified according to DIN EN ISO 9001.

For more information, please visit our website or contact us:

